



WILTON MANORS, *Island City*

2020 WILTON DRIVE, WILTON MANORS, FLORIDA 33305

COMMUNITY DEVELOPMENT SERVICES

(954) 390-2180 FAX: (954) 567-6069

**ELECTRICAL
SERVICE CHANGE**

Life's Just Better Here

ELECTRICAL SERVICE CHANGE

This checklist is designed to expedite permit application processing by ensuring that all required documentation is submitted with your application.

REQUIRED PERMIT APPLICATION(S)

- Electrical

MINIMUM PLAN SUBMITTAL

- Two (2) copies of service riser and load calculations.
- Two (2) copies of AIC letter from Florida Power & Light Company (Commercial only).
- Owner/Builder Affidavit, if constructed by homeowner. This must be signed in person at the Community Development Services Department.
- Two (2) copies of Homeowner Association Approval, if required.

INSPECTIONS

Inspections must be submitted online, faxed or dropped off prior to **4:30 PM** for the next business day.

REVIEW STOP(S)

- Electrical

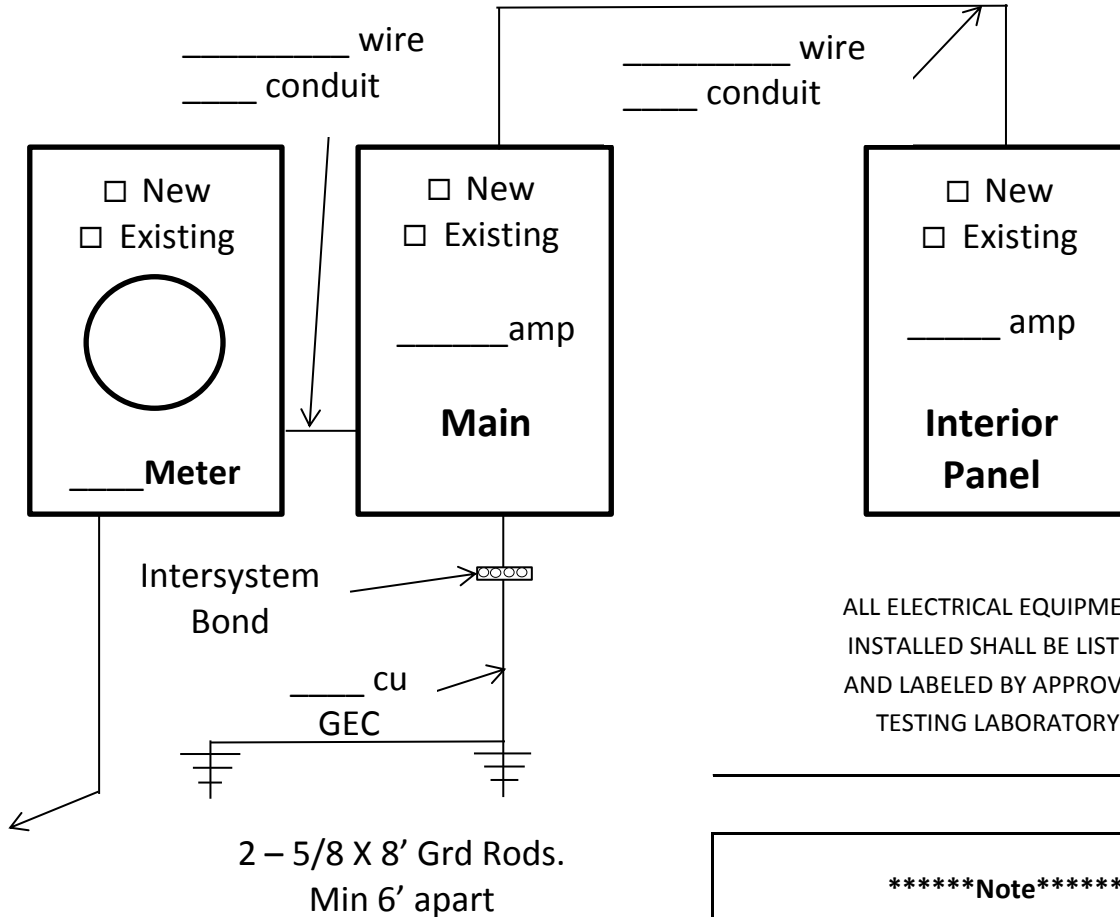
*If more than one (1) electric service / panel change, please attach two (2) copies of plans.

**Please note that this checklist is not intended to be all-inclusive. Due to changes in codes, regulations, and ordinances, other requirements may apply.



Life's Just Better Here

Electric Service / Panel Change



ALL ELECTRICAL EQUIPMENT
INSTALLED SHALL BE LISTED
AND LABELED BY APPROVED
TESTING LABORATORY

*******Note*******

Please check appropriate boxes and fill in all
required information.

CITY OF WILTON MANORS

APPROVED BY _____
ELECTRICAL PLAN REVIEWER

APPROVED BY LICENSED ELECTRICAL
CONTRACTOR: _____
OR
APPROVED BY HOME OWNER:

NOTARY SEAL:
DATE: _____